

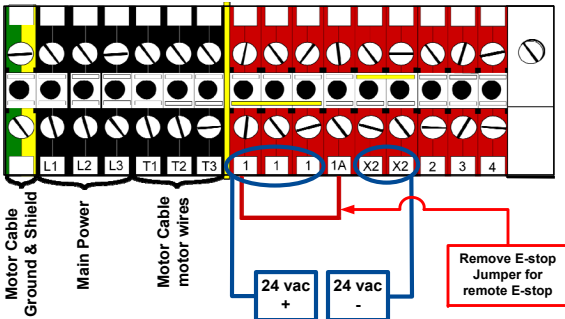
## Variable Frequency Drive

- VFD models, voltage and horse power vary depending on doors square footage, speed demand, elevation and voltage requirements.
- Upon initiation of power to control box, VFD will be at a ready state when **dCb** is present on the display.
- Under a fault condition the VFD will flash the code on the display of the VFD. The RAYNOR controller will flash Drive Error but the code needed to decipher the error will ultimately be on the VFD. Refer to RAYNOR electrical manual for code descriptions.

## Line voltage and Ground (PE)

- Connect independent line circuit to L1, L2 and L3 if required.
- Connect Ground wire (PE) to terminal lug. Ground wire should come from a bonded ground form service panel.

## Terminal Blocks



### External push button or pull cord

- N/O contact to terminal 1 & 2

### Anti-roll off Switch

- N/O contact to terminal 1 & 4

### Chain hoist disengage Switch

- N/C contact to terminal 1A & 1B

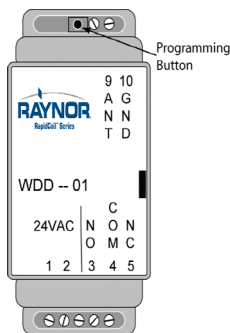
### Falcon Radar

- Red Wire
- Black Wire
- White Wire
- Green wire
- Yellow wire

- Terminal 1
- Terminal X2
- Terminal 1
- Terminal 3
- Not used

## Wireless Detection Device (WDD)

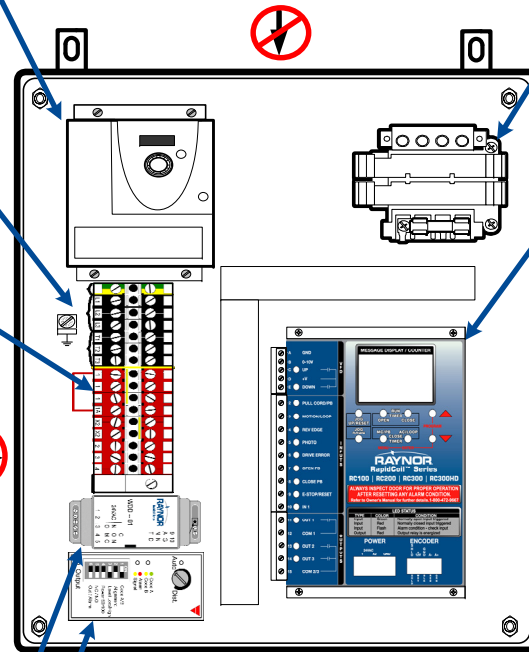
- Confirm all limits are set and door is working properly.
- Bring door to working level and press in the e-stop.
- Push and hold the programming button.
- A green LED will illuminate, activate the edge on the bottom of curtain. The LED will blink once. Release programming button.
- Test the sync between transmitter and receiver by activating edge in bottom bag, a clicking noise from the receiver and a LED on controller should be heard and seen.



Disconnect provided by others.



Do not introduce CONDUIT on top or sides of control box. This action will void the Warranty!



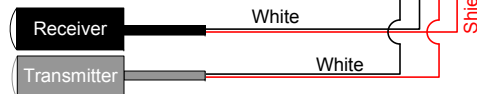
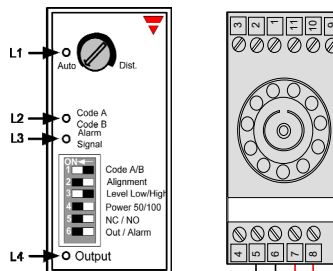
Proper conduit termination is done at the bottom of the RAYNOR control panel.



High voltage should never be routed through internal control box wiring ducts.

## Photo Eye Amp & Photo eye

- Install amp into 11 pin socket.
- Knob to Auto
- L1&2 = Green
- L3&4 = Amber
- Verify operation after limits are set and door is working properly.
- Photo eyes blocked L3&4 = not lit

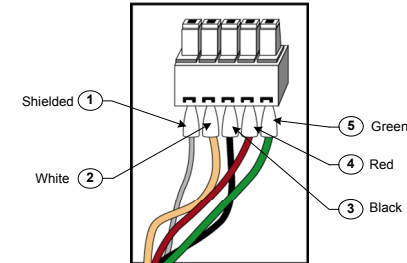


## Control Transformer

- Converts main voltage to 24 volts AC.
- Typically 50va transformer
- The transformer has three fuses, if 24 volt is not present, turn power off. Check continuity on all fuses by removing them out of transformer fuse holders.

## Door Controller

- Connect the encoder wire, shown below, to the encoder connector at the bottom right of the panel.



- Set the door's Close, Photo, and Open limits using the appropriate buttons. (Always set the Close limit first.)
- Note:** On initial power up, the **Password** screen is bypassed and the **LimitSet** screen displays.
  - Press and hold the **PROGRAM** buttons until the display reads **Password**.
  - Press the red arrow buttons to scroll to **815**.
  - Press the **ENTER** button. Display reads **LimitSet**.
  - Press the **ENTER** button again. The display reads **ClsLimit**. Press the **ENTER** button a third time. The display reads **JogToCls**.
  - Press the **Jog** buttons to move the door to the desired closed position.
  - Press **ENTER** button. The display reads **ClsLimit\_Set-OK**.
  - Press the red arrow buttons to scroll to the next limit and repeat these steps for each additional limit.
  - When all limits have been set, press the **MENU** button twice to exit.
- Set timers by pressing the desired setting button and using the **Up** and **Down** arrow buttons to adjust the timer settings. The change automatically saves after a few seconds.
- The **JOG** buttons move the door up and down.
- Refer to the RAYNOR Technical Manual to interpret error messages and for additional information.

## Safety



- High Voltage
- Installation and maintenance may only be performed by a skilled, licensed electrician or certified RAYNOR Dealer.
- Appropriate safety procedures, such as lock out / tag out procedures, must be followed while performing installation or maintenance tasks on the RAYNOR control box.