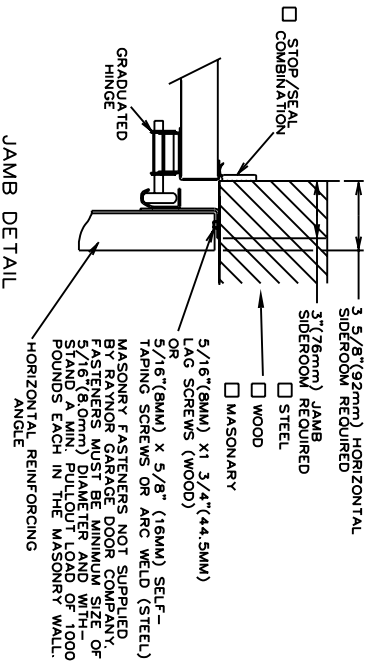
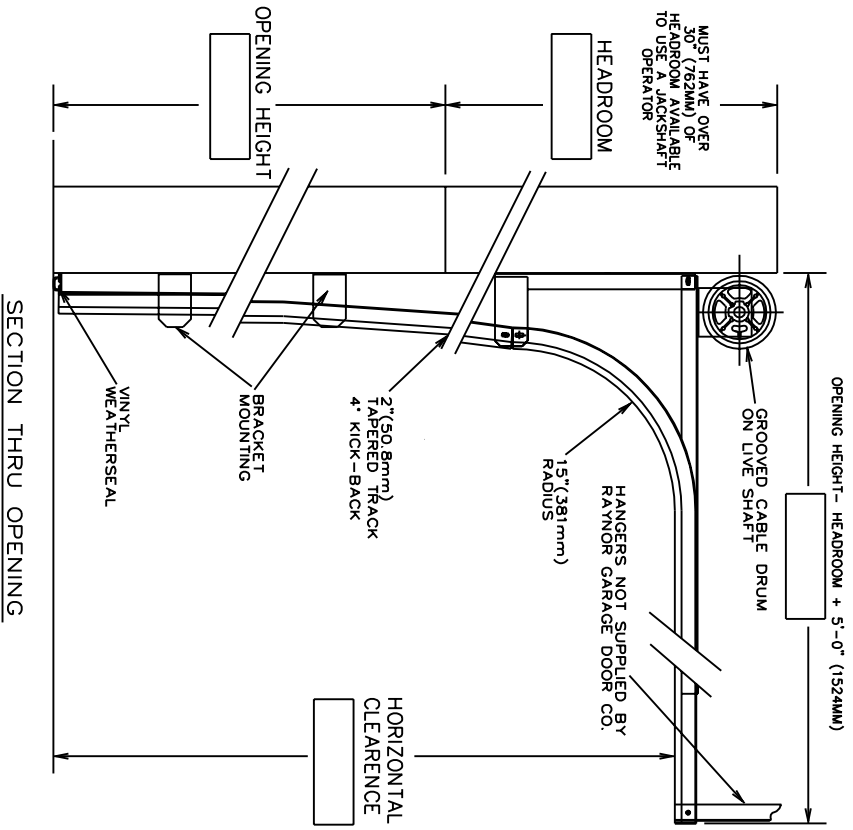




DOOR NUMBER	QTY	OPENING		ACTUAL		MODEL	JAMB W	MOUNTING ANGLE	LOCK	PANELS WIDE	PANELS HIGH	SECTION NUMBER OPEN FOR GLASS									
		WIDTH	HEIGHT	WIDTH	HEIGHT							1	2	3	4	5	6	7	8		



ANSI/UL325 REQUIRES THE MOTOR OPERATOR BE MOUNTED A MINIMUM OF 8' ABOVE THE FLOOR OR GUARDING OF THE MOTOR OPERATOR TO PREVENT INJURY (GUARDS BY OTHERS).

JOB: \_\_\_\_\_

DISTR: \_\_\_\_\_

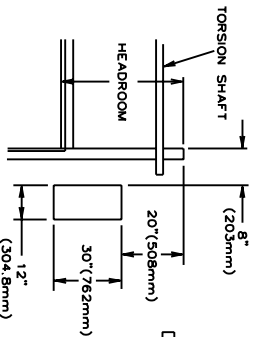
CONTR: \_\_\_\_\_

ARCH: \_\_\_\_\_

NR:2902521



- TRACKS - 2" (50.8mm) HOT-DIPPED GALVANIZED TRACK, PER ASTM A-653, TO BE BRACKET MOUNTED AND FULLY ADJUSTABLE FOR SEALING DOOR TO JAMB. HORIZONTAL TRACK TO BE ADEQUATELY REINFORCED WITH CONTINUOUS ANGLE.
- HARDWARE - HINGES AND BRACKETS MADE FROM GALVANIZED STEEL. TRACK ROLLERS SHALL HAVE TEN 1/4" (6.4mm) DIAMETER HARDENED STEEL BALLS PER ROLLER.
- SPRINGS - COUNTERBALANCE - HEAVY DUTY OIL-TEMPERED WIRE TORSION SPRINGS ON A CONTINUOUS BALL BEARING CROSS-HEADER SHAFT GALVANIZED AIRCRAFT TYPE LIFTING CABLES WITH MIN. SAFETY FACTOR OF 5 TO 1.
- LOCKING - CREMONE TYPE BOLT ENGAGES SLOT IN TRACK, ----- HAND SIDE. FIVE PIN TUMBLER CYLINDER OUTSIDE - NIGHT LATCH INSIDE.
  - LOCKING - SPRING LOADED SLIDE BOLT ENGAGES SLOT IN TRACK.
  - OPERABLE FROM INSIDE ONLY - MAY BE MOUNTED EITHER SIDE
  - LOCKING - OMIT LOCK.
- LOCKS SHOULD NOT BE SUPPLIED WITH AN ELECTRIC OPERATED DOOR WITHOUT A LOCK INTERLOCK SWITCH.
- RAYNOR POWERHOIST BASIC (PHBR) 1/2 H.P., 115 VOLT, SINGLE PHASE
  - RAYNOR POWERHOIST BASIC (PHBR) 1/2 H.P., 115 VOLT, SINGLE PHASE
  - RAYNOR POWERHOIST BASIC (PHBU) 1/2 H.P., 115 VOLT, SINGLE PHASE
  - RAYNOR POWERHOIST STANDARD (RHJH) 1/2 H.P., 115 VOLT, SINGLE PHASE
  - RAYNOR POWERHOIST STANDARD (RBJH) ----- H.P., ----- VOLT, ----- PHASE
  - RAYNOR POWERHOIST OPTIMA (RGJH) ----- H.P., ----- VOLT, ----- PHASE
  - WIRING TYPE-SRS WIRING, MOMENTARY CONTACT OPEN/CLOSE/STOP, SAFETY EDGE TO REVERSE.
  - WIRING TYPE-SPECIAL (NOT AVAILABLE WITH PHBT OPERATORS)
  - SPECIFY SPECIAL WIRING TYPE -----
  - PNEUMATIC SAFETY EDGE TO REVERSE  COIL CORD
  - ELECTRIC SAFETY EDGE TO REVERSE  CABLE TAKE UP REEL
  - THRU-BEAM PHOTO EYES



JACKSHAFT MOUNTING DETAIL POSITION # ----- REQUIRED (TYPICAL DIMENSIONS)

RAYNOR DOES NOT RECOMMEND THE USE OF A JACKSHAFT OPERATOR ON DOORS WITH LESS THAN OR EQUAL TO 30"(762MM) OF HEADROOM. RAYNOR RECOMMENDS THE USE OF A TROLLEY TYPE OPERATOR IN THESE SITUATIONS.