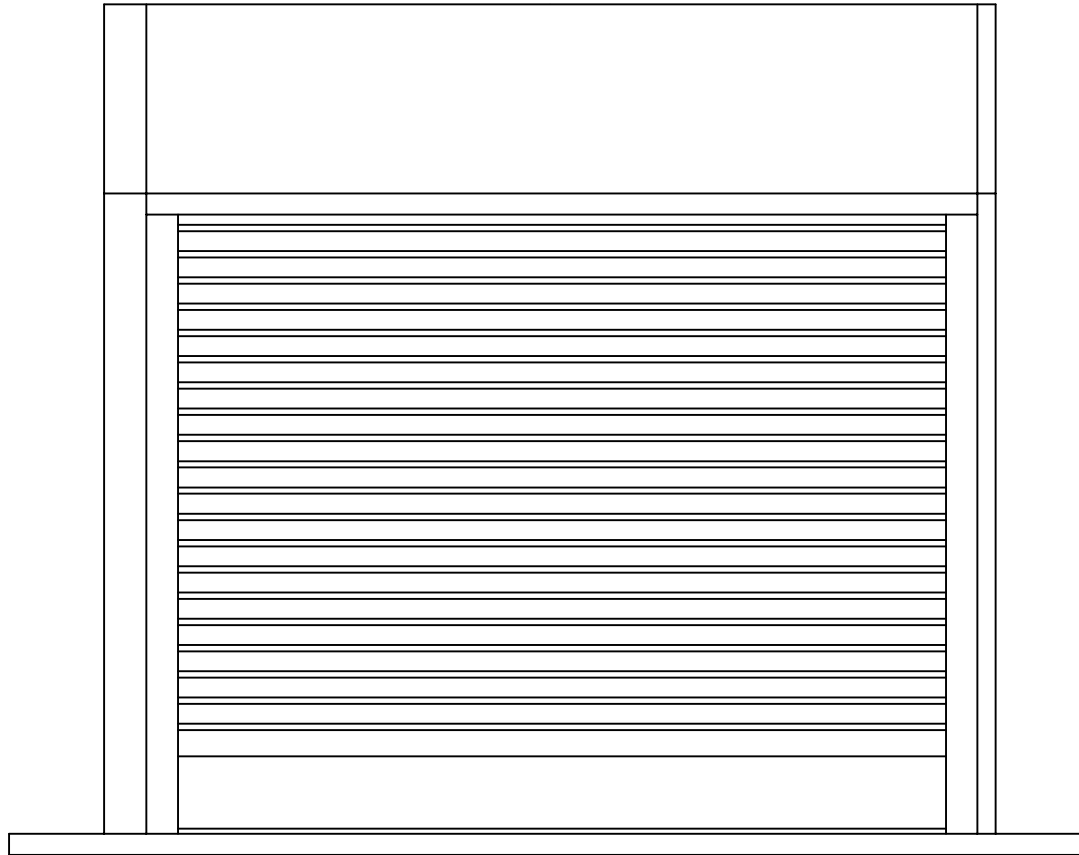


| DOOR NUMBER | QTY | OPENING | | MODEL | GA. | "A" | "B" | "C" | "D" | "E" | "F" | "G" | "H" | "J" | MOUNT TYPE | OPER. | DRIVE | JAMB TYPE | GUIDE | JOB: | | | |
|-------------|-----|---------|--------|-------|-----|-----|-----|-----|-----|-----|-----|-----|-----|-----|------------|-------|-------|-----------|-------|------|--------------|-------------|------------|
| | | WIDTH | HEIGHT | | | | | | | | | | | | | | | | | | | | |
| | | | | | | | | | | | | | | | | | | | | | DISTRIBUTOR: | | |
| | | | | | | | | | | | | | | | | | | | | | | CONTRACTOR: | |
| | | | | | | | | | | | | | | | | | | | | | | ARCHITECT: | NR:2904107 |



DURASHUTTER

DURASHUTTER CP/CSS BETWEEN JAMB MOUNT MOTOR OPERATION



"ELEVATION"

COUNTER TOP BY OTHERS

LEFT HAND DRIVE (SHOWN)

RIGHT HAND DRIVE

DOORS SHALL BE ROLLING STEEL MODEL FIRECURTAIN "SELECT" OR "STANDARD" (FIRE COUNTER SHUTTER) AS MANUFACTURED BY RAYNOR GARAGE DOORS.

DOOR(S) COMPLY WITH UNDERWRITERS LABORATORIES REQUIREMENTS FOR A 3-HOUR RATING.

BARREL- STRUCTURAL STEEL PIPE, MINIMUM 4-1/2"(114.3mm) O.D. X.120" (3.0mm) WALL THICKNESS AND DESIGNED TO LIMIT MAXIMUM DEFLECTION, UNDER LOAD, TO .03"(0.76mm) PER FOOT OF SPAN.

SURFACE FOR HOOD ATTACHMENT. INSIDE SURFACE SHALL BE FLUSH WITH GUIDE GROOVE. DRIVE SIDE BRACKET SHALL BE FITTED WITH A SEALED BALL BEARING FOR CONTINUED PERFORMANCE.

JAMB CONSTRUCTION USING OTHER THAN MASONRY OR STRUCTURAL STEEL WRAPPED MASONRY MUST RECEIVE APPROVAL FROM LOCAL AUTHORITIES.

AUTOMATIC CLOSURE- AUTOMATIC CLOSING TO BE INITIATED BY MELTING A 165 DEGREE FUSIBLE LINK. OPERATION MECHANISM SHALL BE DISENGAGED DURING AUTOMATIC CLOSING OF THE DOOR. RATE OF DESCENT SHALL BE CONTROLLED BY A GOVERNOR.

MODEL UCS

CURTAIN- SHALL BE 22 GA. INTERLOCKING SLATS, ROLLFORMED STAINLESS STEEL. FINISH SHALL BE A #4 FINISH. PLATED ENDLOCKS FASTENED TO ALTERNATE SLATS, TO ELIMINATE LATERAL MOVEMENT AND PREVENT SLATS FROM WEARING AT SURFACES COMING IN CONTACT WITH GUIDES. BOTTOM BAR SHALL BE TUBULAR SHAPED TO REINFORCE THE CURTAIN WITH FOAM RUBBER ASTRAGAL FOR SILL PROTECTION.

GUIDES- SHALL BE 13 GA. STAINLESS STEEL, #4 FINISH, WITH REMOVABLE BELLMOUTH CURTAIN STOPS.

HOOD & SIDE COVERS- SHALL BE 24 GAUGE STAINLESS STEEL, WITH A #4 FINISH. HOOD TO HAVE ROLLED EDGES TO PROVIDE RIGIDITY.

MODEL UCS

CURTAIN- SHALL BE INTERLOCKING SLATS, 22 GA., ROLLFORMED FROM COMMERCIAL QUALITY HOT DIPPED GALVANIZED (G-90) STEEL PER ASTM A-653. FINISH SHALL BE A TWO COAT BAKED ON PRIME PAINT APPLIED PRIOR TO ROLLFORMING. PLATED ENDLOCKS FASTENED TO ALTERNATE SLATS TO ELIMINATE LATERAL MOVEMENT AND PREVENT SLATS FROM WEARING AT SURFACES COMING IN CONTACT WITH GUIDES. BOTTOM BAR SHALL BE TUBULAR SHAPED TO REINFORCE THE CURTAIN WITH FOAM RUBBER ASTRAGAL FOR SILL PROTECTION.

GUIDES- SHALL BE 13 GA. GALVANIZED STEEL WITH REMOVABLE BELLMOUTH CURTAIN STOPS.

HOOD & SIDE COVERS- SHALL BE 24 GAUGE COMMERCIAL QUALITY HOT DIPPED GALVANIZED STEEL. HOOD TO HAVE ROLLED EDGES TO PROVIDE RIGIDITY.

LOCKING- SLIDE BOLT TO ENGAGE GUIDE WITH PROVISION FOR PADLOCK. (PADLOCK BY OTHERS) QUANTITY REQUIRED

LOCKING- FIVE PIN TUMBLER CYLINDER WITH LOCK BARS TO ENGAGE THE GUIDE. QUANTITY REQUIRED

LOCK-OPERABLE FROM INTERIOR ONLY.

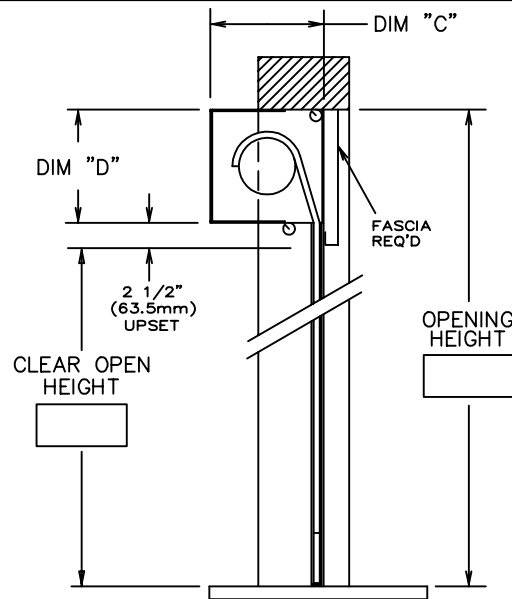
LOCK-OPERABLE FROM EXTERIOR ONLY.

LOCK-OPERABLE FROM BOTH INTERIOR AND EXTERIOR

| DOOR NUMBER | QTY | OPENING | | MODEL | GA. | "A" | "B" | "C" | "D" | "E" | "F" | "G" | "H" | "J" | MOUNT TYPE | OPER. | DRIVE | JAMB TYPE | GUIDE | JOB: | |
|-------------|-----|---------|--------|-------|-----|-----|-----|-----|-----|-----|-----|-----|-----|-----|------------|-------|-------|-----------|-------|------|--------------|
| | | WIDTH | HEIGHT | | | | | | | | | | | | | | | | | | |
| | | | | | | | | | | | | | | | | | | | | | DISTRIBUTOR: |
| | | | | | | | | | | | | | | | | | | | | | CONTRACTOR: |
| | | | | | | | | | | | | | | | | | | | | | ARCHITECT: |

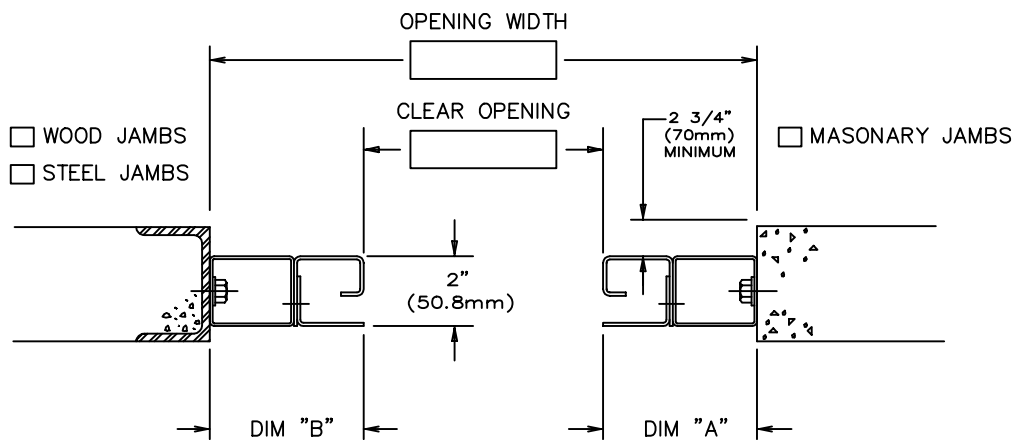


NR:2904107

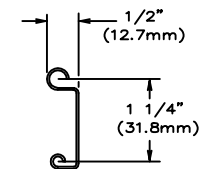


"SECTION THRU-OPENING"

TUBE MOTOR OPERATOR— MODEL 'TM' —TO BE 115 VOLTS, SINGLE PHASE, 60HZ, U.L. RECOGNIZED AND CSA APPROVED. PLANETARY GEAR SYSTEM WITH THE CAPABILITY OF MANUAL OVERRIDE. MECHANICAL INTERNAL WORM GEAR LIMITS. CONTROLS TO BE FLUSH MOUNTED ROCKER SWITCH. CYCLE TIME— 3 MINUTES 'ON', 20 MINUTES 'OFF'. MINIMUM TEMPERATURE OF -10 DEGREES FAHRENHEIT (-23 DEGREES C). OPERATOR IS MOUNTED INSIDE OF THE BARREL.



"GUIDE DETAIL"



SLAT MODEL

- MODEL CP
- MODEL CSS