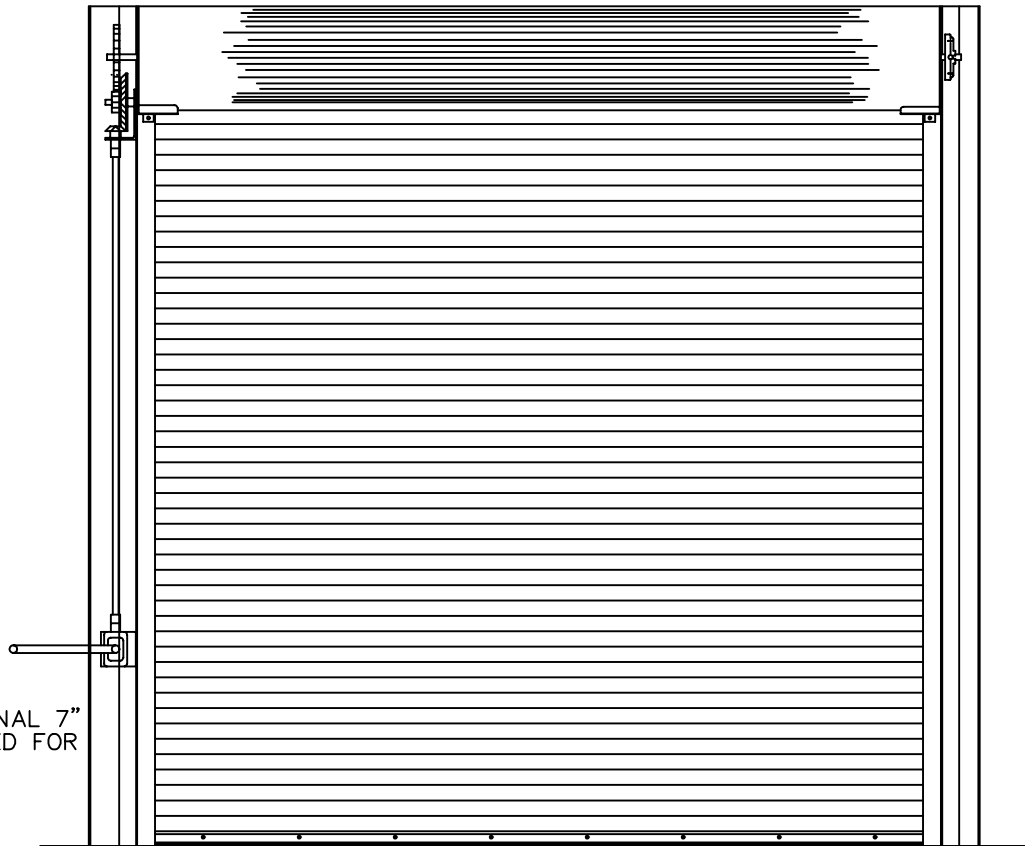


DOOR NUMBER	QTY	OPENING		MODEL	GA.	"A"	"B"	"C"	"D"	"E"	"F"	"G"	"H"	"J"	MOUNT TYPE	OPER.	DRIVE	JAMB TYPE	GUIDE	JOB:	
		WIDTH	HEIGHT																		
																				DISTRIBUTOR:	RAYNOR
																				CONTRACTOR:	
																				ARCHITECT:	

DURACOIL MODEL AF/AI/AP
BETWEEN JAMB MOUNT ABOVE LINTEL
CRANK OPERATION

DURACOIL



ADDITIONAL 7"
REQUIRED FOR
HANDLE

LEFT HAND DRIVE
(SHOWN)

RIGHT HAND DRIVE

"ELEVATION"

DOORS SHALL BE ROLLING STEEL MODEL DURACOIL "STANDARD"
(STANDARD SERVICE DOOR) AS MANUFACTURED BY RAYNOR GARAGE
DOORS.

BRACKETS- STEEL PLATES, MIN. 3/16"(4.8mm) THICK, BOLTED TO
GUIDES FOR MOUNTING CURTAIN AND BARREL ASSEMBLY. DRIVE
SIDE BRACKET SHALL BE FITTED WITH A SEALED BALL BEARING
FOR LONG LIFE.

BARREL- STRUCTURAL STEEL PIPE, MINIMUM 4-1/2"(114.3mm)
O.D.X.120" (3.0mm) WALL THICKNESS AND DESIGNED TO LIMIT MAXIMUM
DEFLECTION, UNDER LOAD, TO .03"(0.76mm) PER FOOT OF SPAN.

SPRING COUNTERBALANCE- THE CURTAIN SHALL BE COUNTERBALANCED
BY MEANS OF OIL TEMPERED, HELICAL TORSION SPRINGS, GREASE-
PACKED AND MOUNTED ON A SINGLE CONTINUOUS STEEL TORSION
SHAFT. SPRINGS SHALL BE COMPRESSION SPRING DESIGN TO
FACILITATE ANY COUNTERBALANCE MAINTENANCE. CAST IRON SPRING
ANCHORS SHALL TRANSFER FULL SPRING LOADING TO THE BARREL.

HOOD- SHALL BE 24 GA. COMMERCIAL QUALITY HOT-DIPPED GALVANIZED
STEEL. HOOD TO HAVE ROLLED EDGES TO PROVIDE RIGIDITY.

GUIDES- STRUCTURAL STEEL ANGLES, MIN. 3/16"(4.8mm) THICK. TOP OF
GUIDE ANGLES FLARED AND PROVIDED WITH 4 REMOVABLE CURTAIN STOPS.

WINDLOAD- 20 LB./SQ. FT. STANDARD. UNLESS OTHERWISE NOTED.

CRANK- BY MEANS OF GRAY IRON REDUCTION GEARS AND 5/8" (15.9mm)
SQUARE SHAFT DOWN TO A GEAR BOX WITH HANDLE. MAXIMUM PULL 35
POUNDS. (PADLOCK BY OTHERS.)

MODEL AF

CURTAIN- INTERLOCKING SLATS ROLLFORMED FROM ALUMINUM 5005H34,
ETCHED AND CLEAR ANODIZED 204R1 ON BOTH SIDES. MALLEABLE IRON
GALVANIZED ENDLOCKS FASTENED TO ALTERNATE SLATS WITH TWO ZINC
PLATED RIVETS PER LOCK, ELIMINATES LATERAL MOVEMENT AND PREVENT
SLATS FROM WEARING AT SURFACES COMING IN CONTACT WITH GUIDES.
BOTTOM OF CURTAIN SHALL BE REINFORCED WITH TWO ALUMINUM ANGLES,
MIN. 2"X2"X3/16"(50.8mmX50.8mmX4.8mm). SINGLE CONTACT ASTRAGAL.

MODEL AI

CURTAIN -INSULATED- INTERLOCKING SLATS ROLLFORMED FROM ALUMINUM
5005H34 ETCH AND CLEAR ANODIZED ON BOTH SIDES TO 201R1. EACH
SLAT SHALL HAVE A 3/4" (19.1mm) THICK, POLYISO FOAMBOARD CORE
PLACED WITHIN THE FULL LENGTH OF THE SLAT. BACKING COVER TO BE
ALUMINUM EXTRUDED .02" THICK. MALLEABLE IRON GALVANIZED ENDLOCKS
FASTENED TO ALTERNATE SLATS WITH 2 ZINC PLATED STEEL RIVETS PER
ENDLOCK. ELIMINATES LATERAL MOVEMENT AND PREVENTS THE SLATS
FROM WEARING AT SURFACES COMING IN CONTACT WITH GUIDES. BOTTOM
OF CURTAIN SHALL BE REINFORCED WITH AN ALUMINUM EXTRUDED T-
SHAPED BOTTOM BAR. SINGLE CONTACT ASTRAGAL. THE CURTAIN "U"
VALUE IS .16 AND "R" VALUE IS 6.24. (SPECIFICATIONS REFLECT CALCU-
LATED CHARACTERISTICS OF CORE MATERIAL).

MODEL AP

CURTAIN- SHALL CONSIST OF INTERLOCKING FLAT SLATS ROLL FORMED
FROM NOT LESS THAN .04" (1.0mm) THICK ALUMINUM, AND PUNCHED WITH
A SERIES OF HOLES ACROSS THEIR ENTIRE LENGTH, PROVIDING 31% OPEN
AREA PER SQUARE FOOT OF DOOR. BOTTOM OF CURTAIN SHALL BE RE-
INFORCED WITH TWO ALUMINUM ANGLES, MINIMUM 2"X2"X3/16" (50.8mmX
50.8mmX4.8mm). SINGLE CONTACT BOTTOM ASTRAGAL.

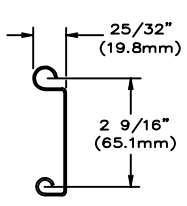
LOCKING- SLIDE BOLT TO ENGAGE GUIDE WITH PROVISION FOR
PADLOCK. (PADLOCK BY OTHERS) QUANTITY REQUIRED

LOCKING- FIVE PIN TUMBLER CYLINDER WITH LOCK BARS TO ENGAGE
THE GUIDE. QUANTITY REQUIRED

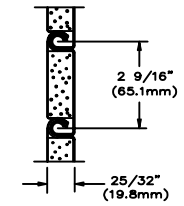
LOCK-OPERABLE FROM INTERIOR ONLY.

LOCK-OPERABLE FROM EXTERIOR ONLY.

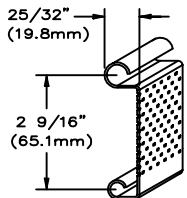
DOOR NUMBER	QTY	OPENING		MODEL	GA.	"A"	"B"	"C"	"D"	"E"	"F"	"G"	"H"	"J"	MOUNT TYPE	OPER.	DRIVE	JAMB TYPE	GUIDE	JOB:		
		WIDTH	HEIGHT																			
																					DISTRIBUTOR:	
																						CONTRACTOR:
																						ARCHITECT:
																					NR:2901897	



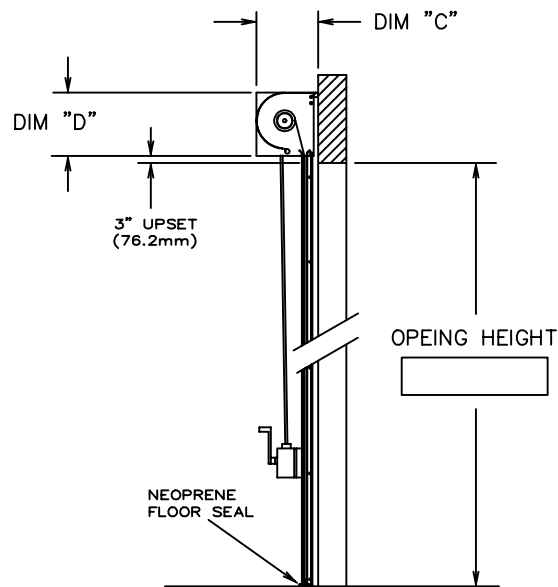
SLAT MODEL "AF"



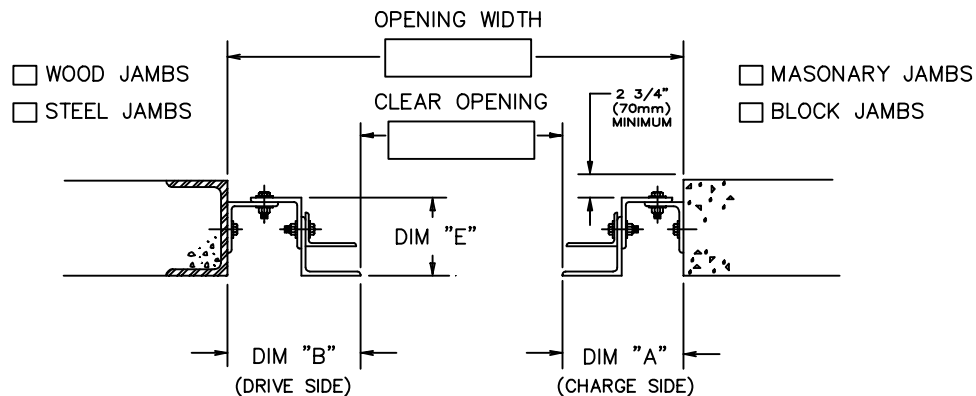
SLAT MODEL "AI"



SLAT MODEL "AP"



"SECTION THRU-OPENING"



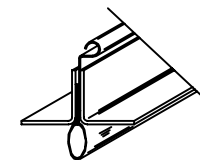
"GUIDE DETAIL"

- WOOD JAMBS
- STEEL JAMBS

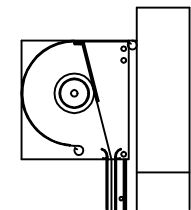
- MASONARY JAMBS
- BLOCK JAMBS



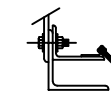
"GUIDE VINYL SEAL"



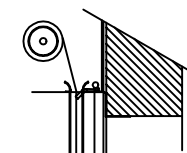
"NEOPRENE FLOOR SEAL"



"RUBBER HOOD BAFFLE"



"GUIDE BRUSH SEAL"



"LINTEL BRUSH SEAL"