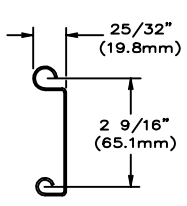
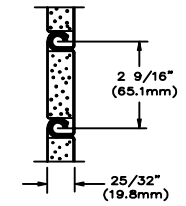


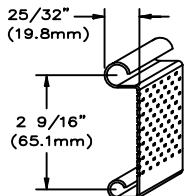
DOOR NUMBER	QTY	OPENING		MODEL	GA.	"A"	"B"	"C"	"D"	"E"	"F"	"G"	"H"	"J"	MOUNT TYPE	OPER.	DRIVE	JAMB TYPE	GUIDE	JOB:		
		WIDTH	HEIGHT																			
																					DISTRIBUTOR:	
																						CONTRACTOR:
																						ARCHITECT: NR:2901896



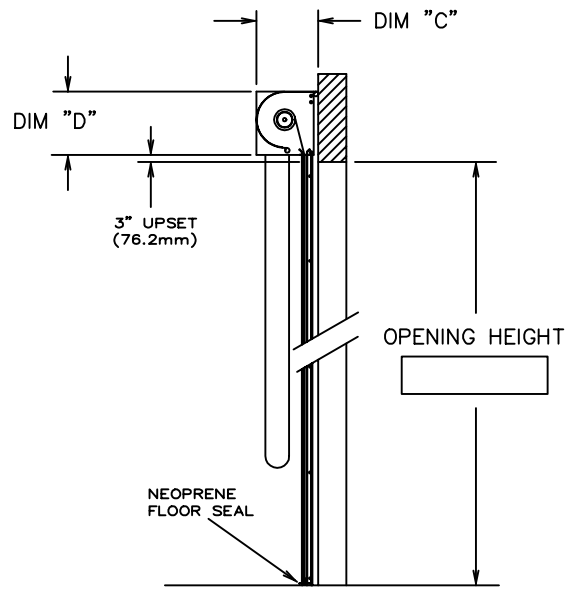
SLAT MODEL "AF"



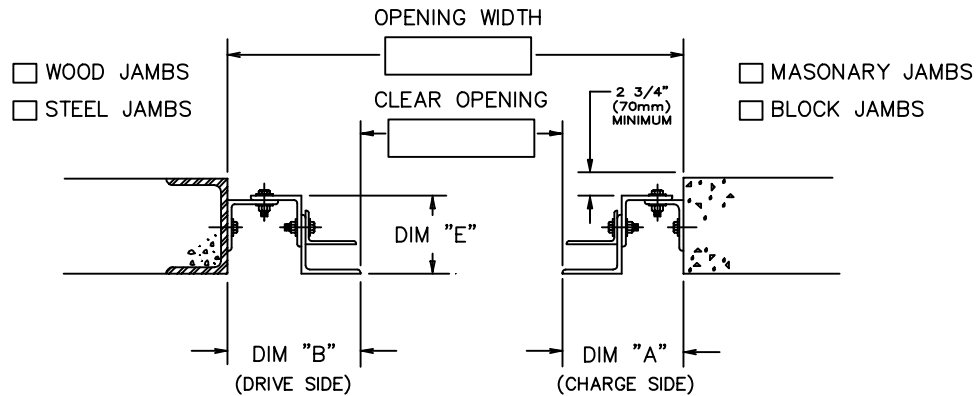
SLAT MODEL "AI"



SLAT MODEL "AP"



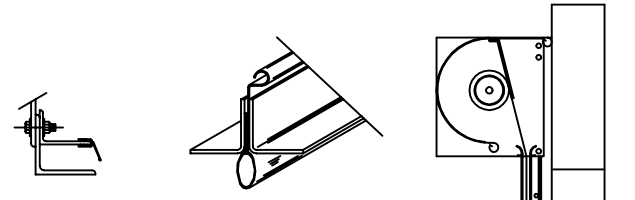
"SECTION THRU-OPENING"



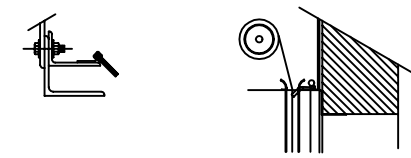
- WOOD JAMBS
- STEEL JAMBS

- MASONRY JAMBS
- BLOCK JAMBS

"GUIDE DETAIL"



"GUIDE VINYL SEAL" "NEOPRENE FLOOR SEAL" "RUBBER HOOD BAFFLE"



"GUIDE BRUSH SEAL" "LINTEL BRUSH SEAL"