
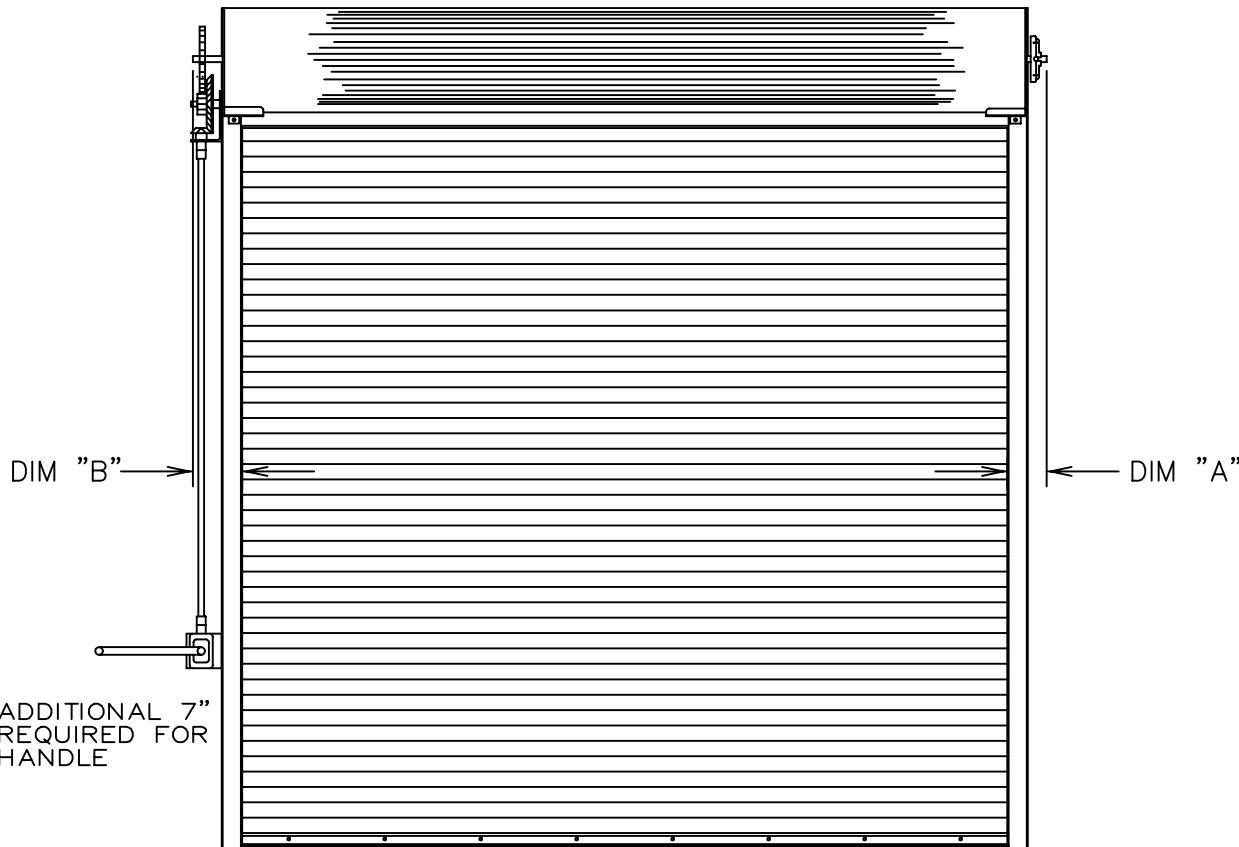


DOOR NUMBER	QTY	OPENING		MODEL	GA.	"A"	"B"	"C"	"D"	"E"	"F"	"G"	"H"	"J"	MOUNT TYPE	OPER.	DRIVE	JAMB TYPE	GUIDE	JOB:	
		WIDTH	HEIGHT																		
																				DISTRIBUTOR:	
																				CONTRACTOR:	
																				ARCHITECT:	

DURACOIL MODEL FF/SC/LC/IF/FP
 INTERIOR FACE MOUNT UNDER LINTEL
 CRANK OPERATION

DURACOIL



ADDITIONAL 7"
 REQUIRED FOR
 HANDLE

LEFT HAND DRIVE
 (SHOWN)

RIGHT HAND DRIVE

"ELEVATION"

DOORS SHALL BE ROLLING STEEL MODEL DURACOIL "STANDARD"
 (STANDARD SERVICE DOOR) AS MANUFACTURED BY RAYNOR GARAGE
 DOORS.

BRACKETS- STEEL PLATES, MIN. 3/16"(4.8mm) THICK, BOLTED TO
 GUIDES FOR MOUNTING CURTAIN AND BARREL ASSEMBLY. DRIVE
 SIDE BRACKET SHALL BE FITTED WITH A SEALED BALL BEARING
 FOR LONG LIFE.

BARREL- STRUCTURAL STEEL PIPE, MINIMUM 4-1/2"(114.3mm)
 O.D.X.120" (3.0mm) WALL THICKNESS AND DESIGNED TO LIMIT MAXIMUM
 DEFLECTION, UNDER LOAD, TO .03"(0.76mm) PER FOOT OF SPAN.

SPRING COUNTERBALANCE- THE CURTAIN SHALL BE COUNTERBALANCED
 BY MEANS OF OIL TEMPERED, HELICAL TORSION SPRINGS, GREASE-
 PACKED AND MOUNTED ON A SINGLE CONTINUOUS STEEL TORSION
 SHAFT. SPRINGS SHALL BE COMPRESSION SPRING DESIGN TO
 FACILITATE ANY COUNTERBALANCE MAINTENANCE. CAST IRON SPRING
 ANCHORS SHALL TRANSFER FULL SPRING LOADING TO THE BARREL.

HOOD- SHALL BE 24 GA. COMMERCIAL QUALITY HOT-DIPPED GALVANIZED
 STEEL. HOOD TO HAVE ROLLED EDGES TO PROVIDE RIGIDITY.

GUIDES- STRUCTURAL STEEL ANGLES, MIN. 3/16"(4.8mm) THICK. TOP OF
 GUIDE ANGLES FLARED AND PROVIDED WITH 4 REMOVABLE CURTAIN STOPS.

WINDLOAD- 20 LB./SQ. FT. STANDARD. UNLESS OTHERWISE NOTED.

CRANK- BY MEANS OF GRAY IRON REDUCTION GEARS AND 5/8" (15.9mm)
 SQUARE SHAFT DOWN TO A GEAR BOX WITH HANDLE. MAXIMUM PULL 35
 POUNDS. (PADLOCK BY OTHERS.)

MODEL FF/SC/LC

CURTAIN- INTERLOCKING SLATS ROLLFORMED FROM COMMERCIAL QUALITY
 HOT DIPPED GALVANIZED (G-90) STEEL PER ASTM A-653. FINISH SHALL
 BE A TWO COAT BAKED ON PRIME PAINT APPLIED PRIOR TO ROLLFORMING.
 MALLEABLE IRON GALVANIZED ENDLOCKS FASTENED TO ALTERNATE SLATS
 WITH TWO ZINC PLATED STEEL RIVETS PER SLAT. ELIMINATES LATERAL
 MOVEMENT AND PREVENT SLATS FROM WEARING AT SURFACES COMING
 IN CONTACT WITH GUIDES. BOTTOM OF CURTAIN SHALL BE REINFORCED WITH
 TWO STEEL ANGLES, MINIMUM 2"x2"x3/16"(50.8mmX50.8mmX4.8mm).
 SINGLE CONTACT BOTTOM ASTRAGAL.

MODEL IF

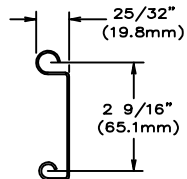
CURTAIN -INSULATED- INTERLOCKING SLATS ROLLFORMED FROM COMMER-
 CIAL QUALITY HOT DIPPED GALVANIZED (G-90) STEEL PER ASTM A-653.
 EACH SLAT SHALL HAVE A 3/4" (19.1mm) THICK, POLYISO FOAMBOARD
 CORE PLACE WITHIN THE FULL LENGTH OF THE SLAT. BACKING COVER TO
 BE A 24GA. HOT-DIPPED GALVANIZED STEEL. FINISH SHALL BE A TWO
 COAT BAKED ON PRIME PAINT APPLIED PRIOR TO ROLLFORMING. MALLE-
 ABLE IRON GALVANIZED ENDLOCKS FASTENED TO ALTERNATE SLATS WITH
 TWO ZINC PLATED STEEL RIVETS PER ENDLOCK. ELIMINATES LATERAL
 MOVEMENT AND PREVENTS THE SLATS FROM WEARING AT SURFACES COM-
 ING IN CONTACT WITH GUIDES. BOTTOM OF CURTAIN SHALL BE REINFORC-
 ED WITH TWO STEEL ANGLES, MINIMUM 2"x2"x3/16" (50.8mmX50.8mmX
 4.8mm). THE CURTAIN "U" VALUE IS .16 AND THE "R" VALUE IS 6.24
 (SPECIFICATIONS REFLECT CALCULATED CHARACTERISTICS OF CORE MATL.).

MODEL FP

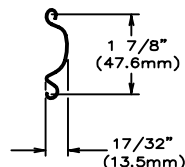
CURTAIN- SHALL CONSIST OF INTERLOCKING FLAT SLATS ROLLFORMED
 FROM NOT LESS THAN 24GA. COMMERCIAL QUALITY HOT DIPPED GALVA-
 NIZED (G-90) STEEL PER ASTM A-653. SLATS SHALL BE PUNCHED WITH
 A SERIES OF HOLES ACROSS THEIR ENTIRE LENGTH, PROVIDING 31% OPEN
 AREA PER SQUARE FOOT OF DOOR. BOTTOM OF CURTAIN SHALL BE RE-
 INFORCED WITH TWO STEEL ANGLES, MINIMUM 2"x2"x3/16" (50.8mmX
 50.8mmX4.8mm). SINGLE CONTACT BOTTOM ASTRAGAL.

- LOCKING- SLIDE BOLT TO ENGAGE GUIDE WITH PROVISION FOR
 PADLOCK. (PADLOCK BY OTHERS) QUANTITY REQUIRED
- LOCKING- FIVE PIN TUMBLER CYLINDER WITH LOCK BARS TO ENGAGE
 THE GUIDE. QUANTITY REQUIRED
- LOCK-OPERABLE FROM INTERIOIR ONLY.
- LOCK-OPERABLE FROM EXTERIOIR ONLY.

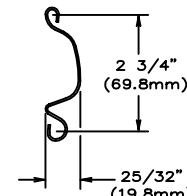
DOOR NUMBER	QTY	OPENING		MODEL	GA.	"A"	"B"	"C"	"D"	"E"	"F"	"G"	"H"	"J"	MOUNT TYPE	OPER.	DRIVE	JAMB TYPE	GUIDE	JOB:	
		WIDTH	HEIGHT																		
																					DISTRIBUTOR:
																					CONTRACTOR:
																					ARCHITECT:
																					NR:2901877



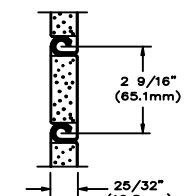
SLAT MODEL "FF"



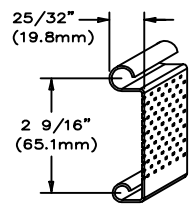
SLAT MODEL "SC"



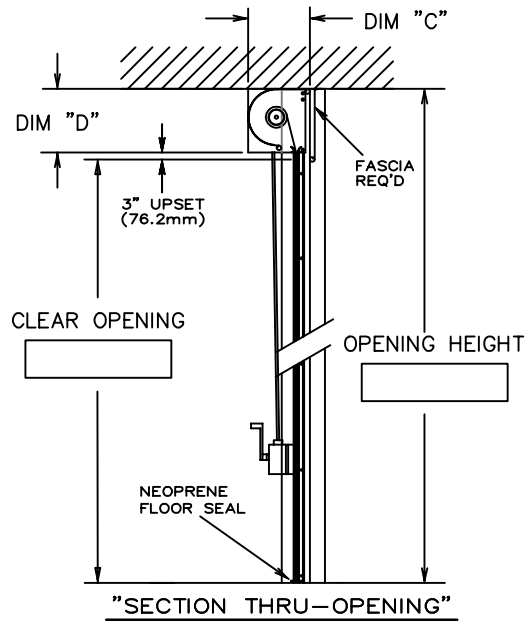
SLAT MODEL "LC"



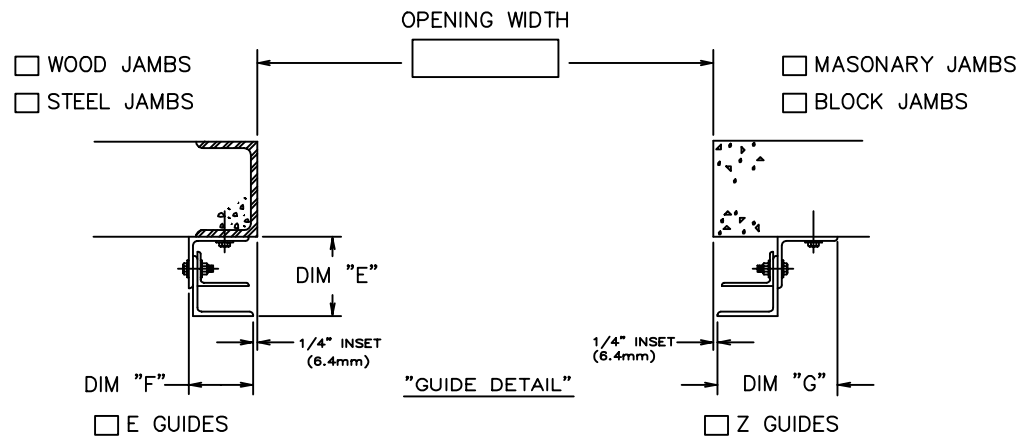
SLAT MODEL "IF"



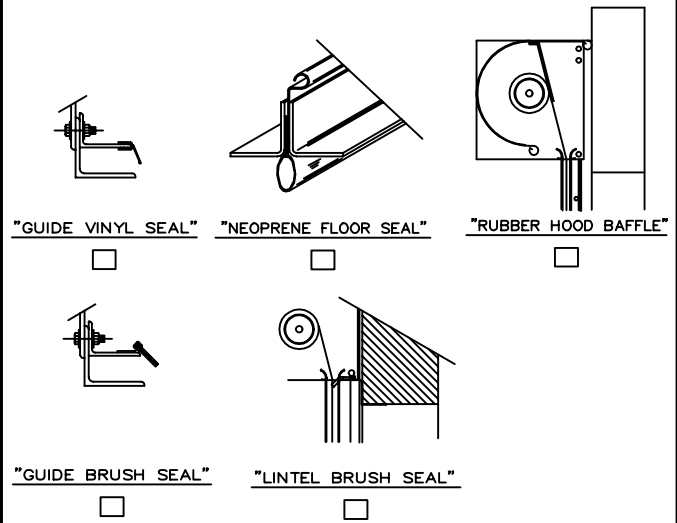
SLAT MODEL "FP"



"SECTION THRU-OPENING"



"GUIDE DETAIL"



(NOT AVAILABLE ON BLOCK OR MASONRY JAMBS)